



ADR - APPLICATION AND MOUNTING INSTRUCTIONS

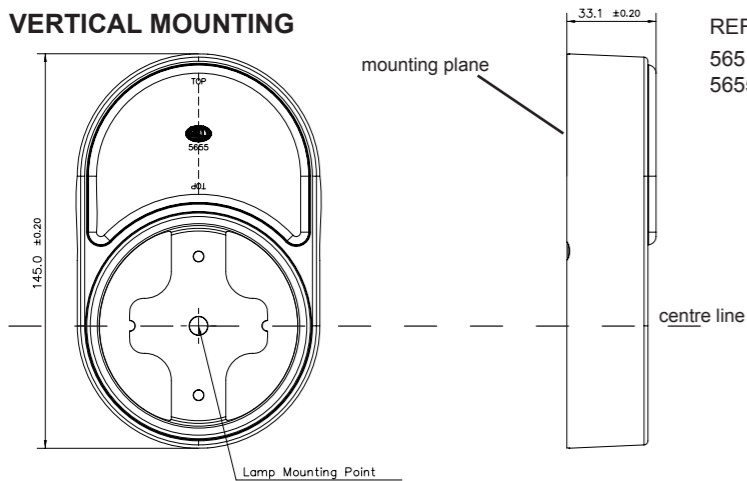
HOUSING FOR 83mm DIAMETER LED MODULES WITH ADR 47/00 RETRO REFLECTOR

RETRO REFLECTOR MUST BE MOUNTED AS FOLLOWS:

- A tolerance of +/-3° applies on all mounting details.
- Reflector and lamp module mounting plane must be vertical to the ground
- Reflector and lamp module reference axis must be parallel to the vehicle longitudinal axis
- Reflector and lamp module centre line must be horizontal to the ground (Please note the "TOP" engraving on the reflector and lamp lens)
- Reflector must be visible from 30° inboard and 30° outboard, as well as 15° above and below the horizontal axis
- Lamp module must be visible from 45° inboard and 80° outboard, as well as from 15° above and below the horizontal axis
- Lamp module should be mounted with retro reflector closest to the outboard edge of the vehicle

Please refer to ADR 13/00 for more details.

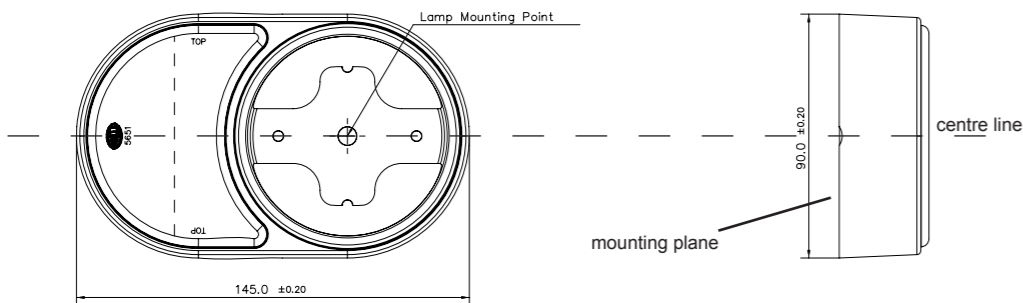
VERTICAL MOUNTING



REFLECTOR IDENTIFICATION NUMBERS:

5651	Red	Horizontal Mounting
5655	Red	Vertical Mounting

HORIZONTAL MOUNTING



CATALOGUE NUMBER	ENGINEERING NUMBER	CRN NUMBER	COMPLIANCE NUMBER	ADR 51/00 GLOBE	ADRs APPLICABLE
2934H	8RA 980 565-10	38243	8-2934H-17	N/A	ADR 47/00
2934V	8RA 980 565-50	38244	8-2934V-17	N/A	ADR 47/00

AMENDMENTS			ADR COMPLIANCE VERIFIED	ISSUE DATE:
				05/2007
				959 150-34

Hella-New Zealand Limited, Auckland

959 150-34 V01



ADR - APPLICATION AND MOUNTING INSTRUCTIONS

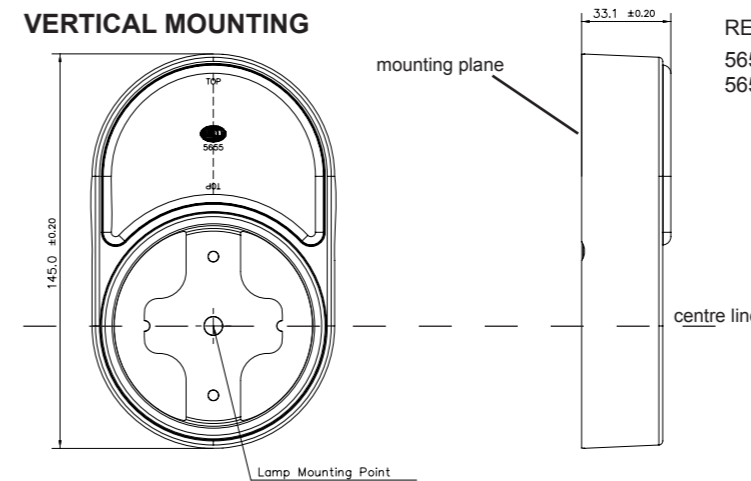
HOUSING FOR 83mm DIAMETER LED MODULES WITH ADR 47/00 RETRO REFLECTOR

RETRO REFLECTOR MUST BE MOUNTED AS FOLLOWS:

- A tolerance of +/-3° applies on all mounting details.
- Reflector and lamp module mounting plane must be vertical to the ground
- Reflector and lamp module reference axis must be parallel to the vehicle longitudinal axis
- Reflector and lamp module centre line must be horizontal to the ground (Please note the "TOP" engraving on the reflector and lamp lens)
- Reflector must be visible from 30° inboard and 30° outboard, as well as 15° above and below the horizontal axis
- Lamp module must be visible from 45° inboard and 80° outboard, as well as from 15° above and below the horizontal axis
- Lamp module should be mounted with retro reflector closest to the outboard edge of the vehicle

Please refer to ADR 13/00 for more details.

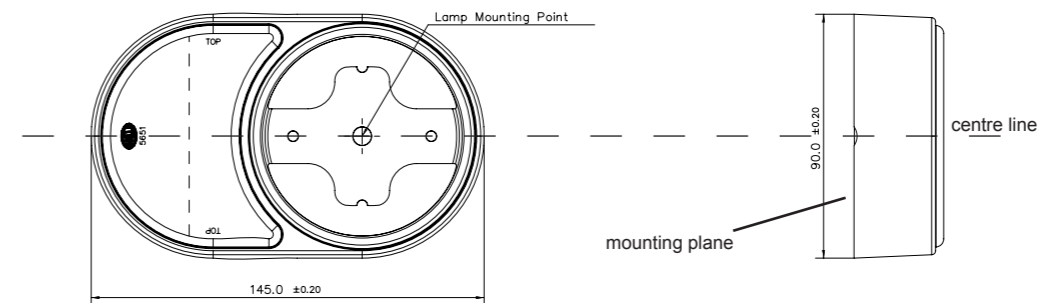
VERTICAL MOUNTING



REFLECTOR IDENTIFICATION NUMBERS:

5651	Red	Horizontal Mounting
5655	Red	Vertical Mounting

HORIZONTAL MOUNTING



CATALOGUE NUMBER	ENGINEERING NUMBER	CRN NUMBER	COMPLIANCE NUMBER	ADR 51/00 GLOBE	ADRs APPLICABLE
2934H	8RA 980 565-10	38243	8-2934H-17	N/A	ADR 47/00
2934V	8RA 980 565-50	38244	8-2934V-17	N/A	ADR 47/00

AMENDMENTS			ADR COMPLIANCE VERIFIED	ISSUE DATE:
				05/2007
				959 150-34

Hella-New Zealand Limited, Auckland

959 150-34 V01