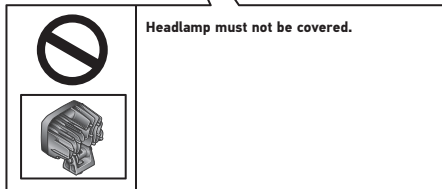
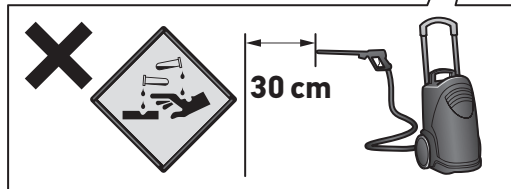
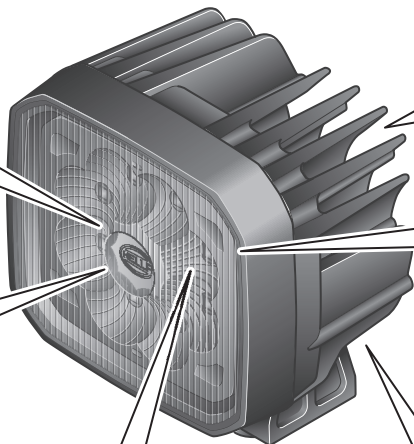
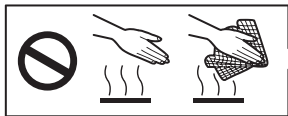


**INSTALLATION INSTRUCTION
WORK LAMP**



EN

PRODUCT LIABILITY

- National mounting, fitting and operating regulations must be heeded and kept.
- Please read all the instructions and safety notes included before using the device.
- We reserve the right to make technical and optical modifications within the course of product improvement.
- Only use original spare parts or spare parts approved by HELLA.
- If you have any questions or problems with the installation, please contact HELLA Customer Services, a wholesaler or your garage.
- Further information is available on our website (www.hella.com/techworld)

Subject to alteration without notice

Explanation symbols



EN Correct



EN Incorrect



EN Location/Position Arrow



EN Movement Arrow



EN Warning



EN Disconnect



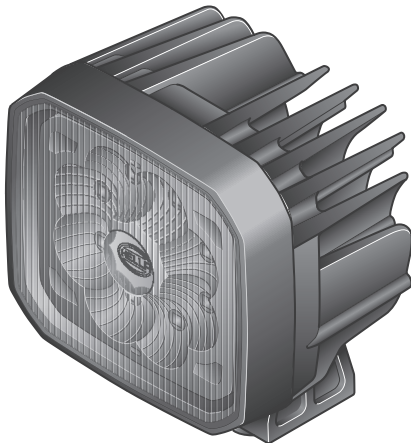
EN Connect



EN Look/See

Scope of delivery

1GA 995 706-0XX
1GA 995 706-1XX
1GA 995 706-2XX
1GA 995 706-3XX
1GA 995 706-4XX



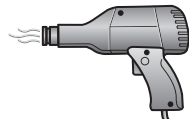
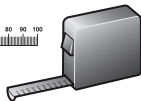
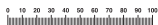
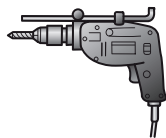
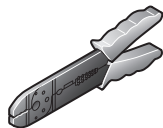
Installation tools required



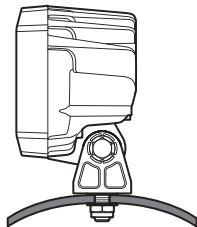
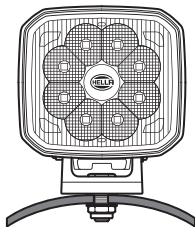
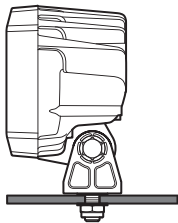
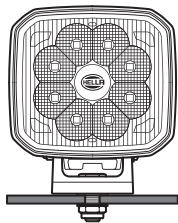
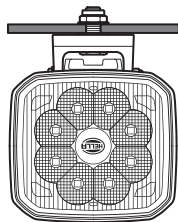
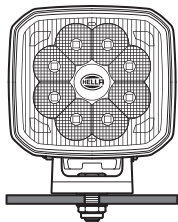
10, 13, 16, 17

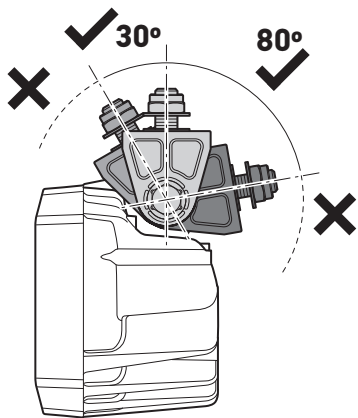
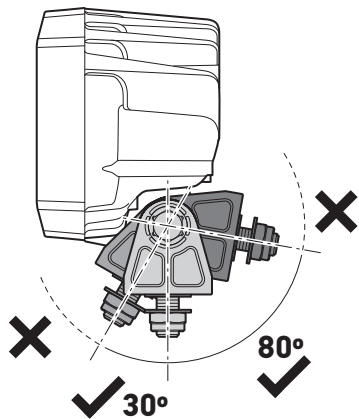


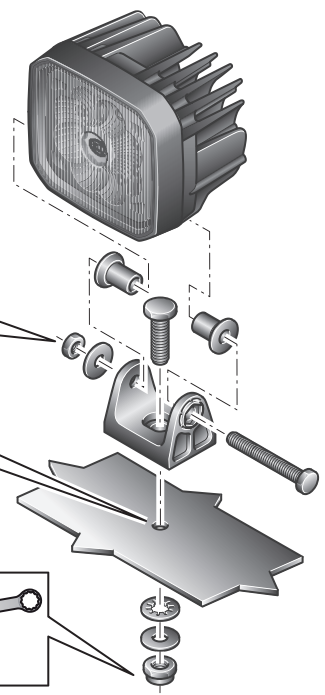
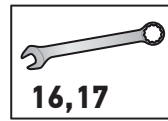
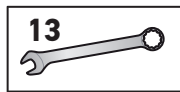
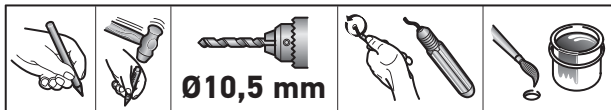
Ø10,5 mm



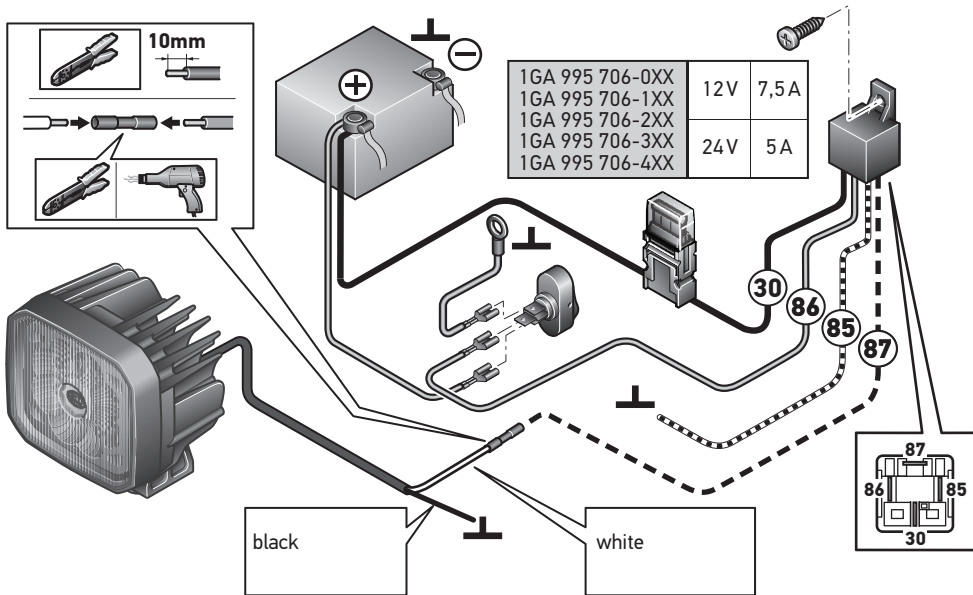
Mounting



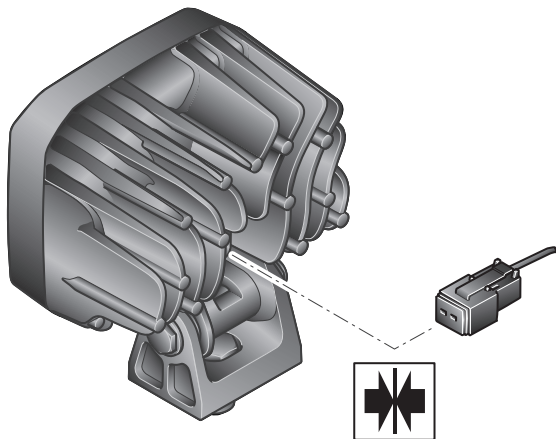




Electrical connection



Electrical connection

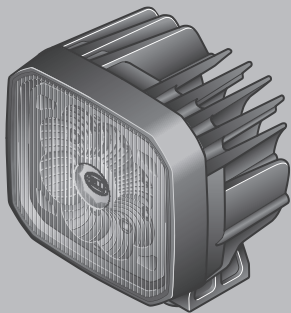


EN TECHNICAL DATA

	Nominal voltage	Range of voltage	Input values	Admissible ambient temperature	Class of protection
1GA 995 706- 0XX/1XX/2XX/3XX/4XX	12V	9V - 32V	< 5A < 45W	-40°C up to +85°C (overheat protection)	IP 6K 9K IP 6K 8
	24V		< 2,5A < 40W		

Operation of the light using alternating voltage or clocked direct voltage is not permitted!

Check that the lighting system is working perfectly



HELLA GmbH & Co. KGaA

Rixbecker Straße 75

59552 Lippstadt /Germany

www.hella.com

© HELLA GmbH & Co. KGaA, Lippstadt

460 879-57 /06.23