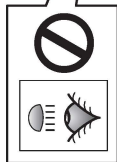
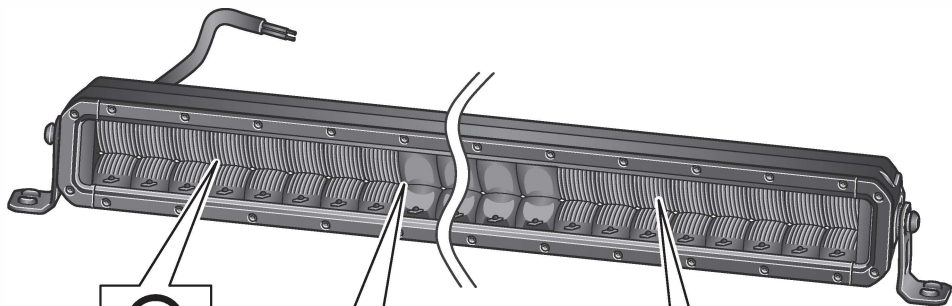


HELLA BLACK MAGIC

**LED DOUBLE ROW LIGHT BAR
INSTALLATION INSTRUCTION**



Explanation symbols



EN Correct



EN Incorrect



EN Location/Position Arrow



EN Movement Arrow



EN Only qualified personnel



EN High beam



EN Warning



EN Disconnect



EN Connect



EN Look/See

Scope of delivery

ECE

1FJ 358 196-401

1FJ 358 196-411

1FJ 358 196-421

1FJ 358 196-451

1FJ 358 196-461

Non ECE

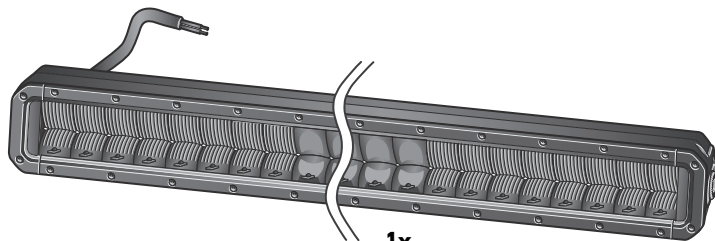
1GJ 358 197-401

1GJ 358 197-411

1GJ 358 197-421

1GJ 358 197-431

1GJ 358 197-441



1x



2x



2x



2x



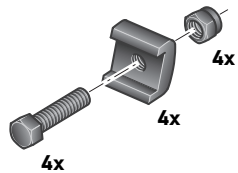
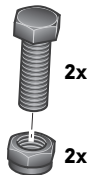
2x



2x

Accessories

8HG 358 176-381



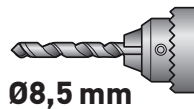
Installation tools required



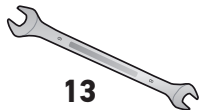
4



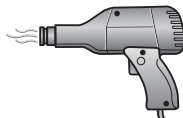
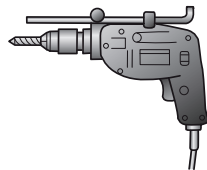
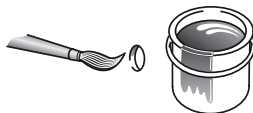
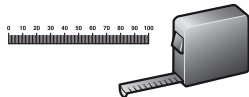
13



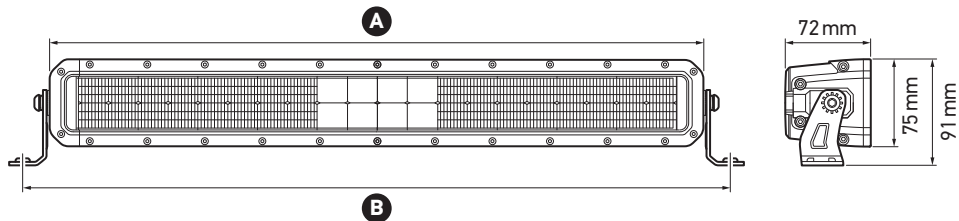
Ø8,5 mm



13

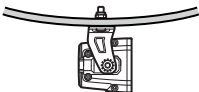
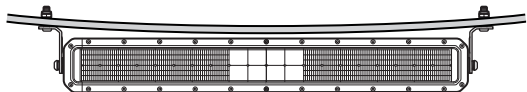
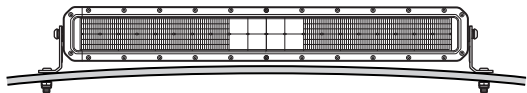
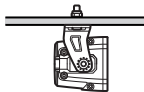
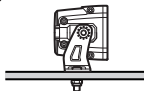
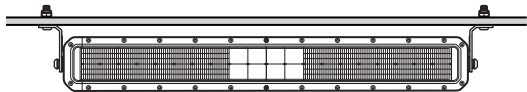
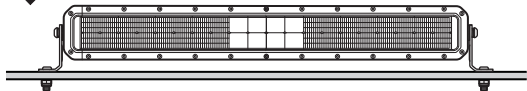


Mounting

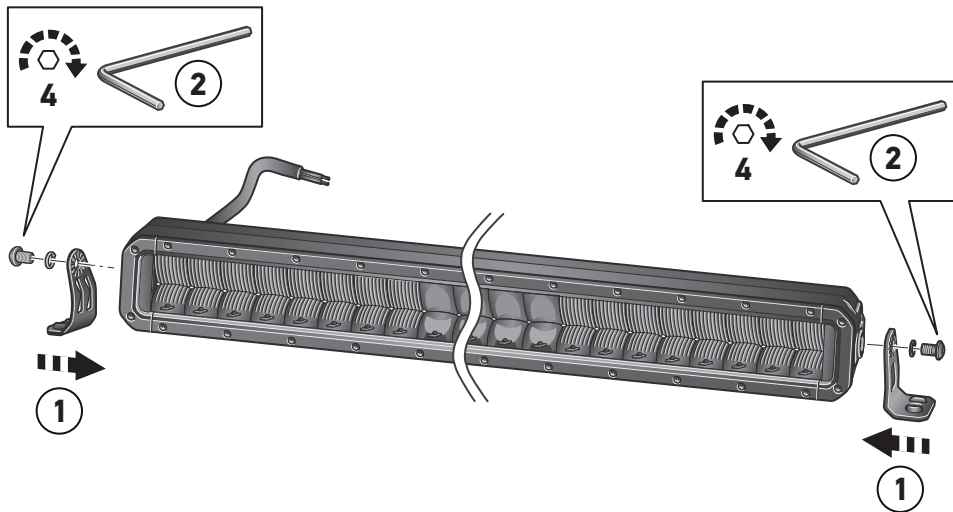


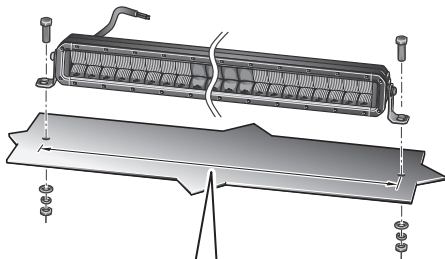
	A	B
1FJ 358 196-401	558 mm	604 mm
1FJ 358 196-411	813 mm	859 mm
1FJ 358 196-421	1068 mm	1114 mm
1FJ 358 196-451	201 mm	248 mm
1FJ 358 196-461	354 mm	400 mm

	A	B
1GJ 358 197-401	558 mm	604 mm
1GJ 358 197-411	813 mm	859 mm
1GJ 358 197-421	1068 mm	1114 mm
1GJ 358 197-431	1272 mm	1318 mm
1GJ 358 197-441	1323 mm	1369 mm

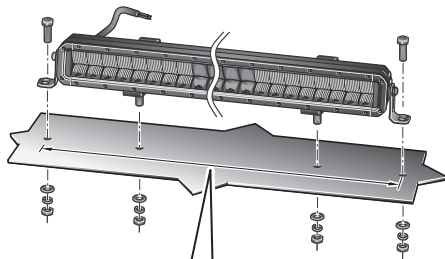


Before mounting on the vehicle, the customer must ensure that the mounting surface / support is suitable for this purpose.

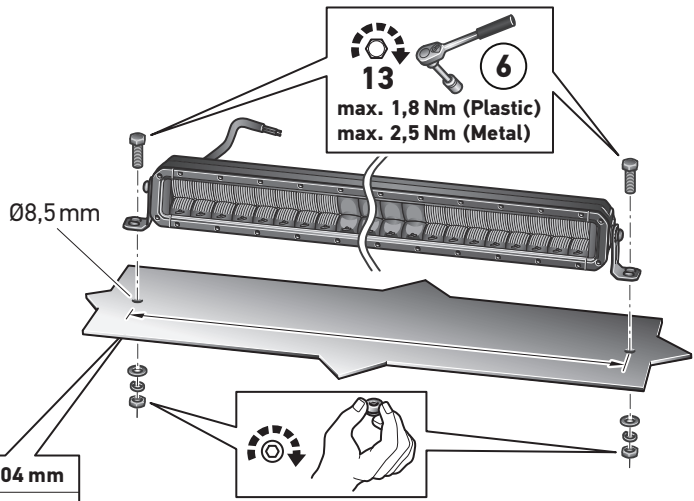
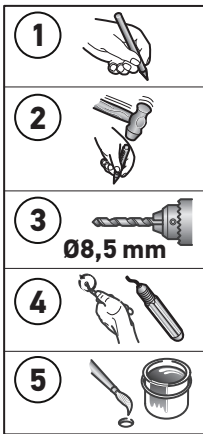




1FJ 358 196-401	604 mm
1FJ 358 196-411	859 mm
1FJ 358 196-451	248 mm
1FJ 358 196-461	400 mm
1GJ 358 197-401	604 mm
1GJ 358 197-411	859 mm



1FJ 358 196-421	1114 mm
1GJ 358 197-421	1114 mm
1GJ 358 197-431	1318 mm
1GJ 358 197-441	1369 mm



Ø8,5 mm

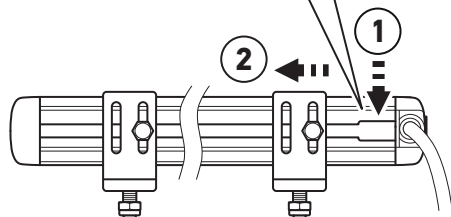
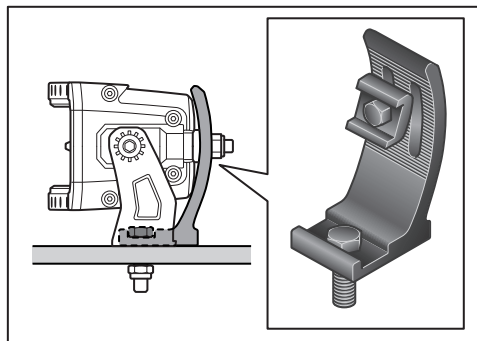
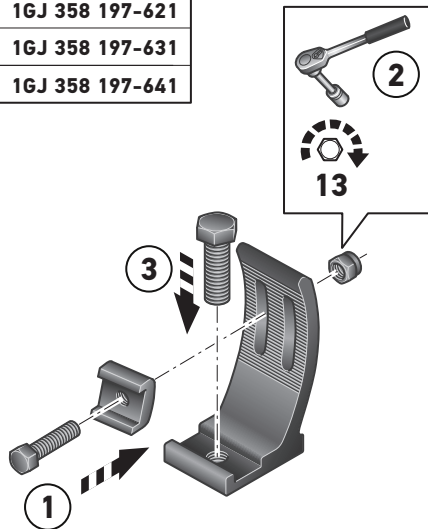
1FJ 358 196-401	604 mm
1FJ 358 196-411	859 mm
1FJ 358 196-451	248 mm
1FJ 358 196-461	400 mm
1GJ 358 197-401	604 mm
1GJ 358 197-411	859 mm

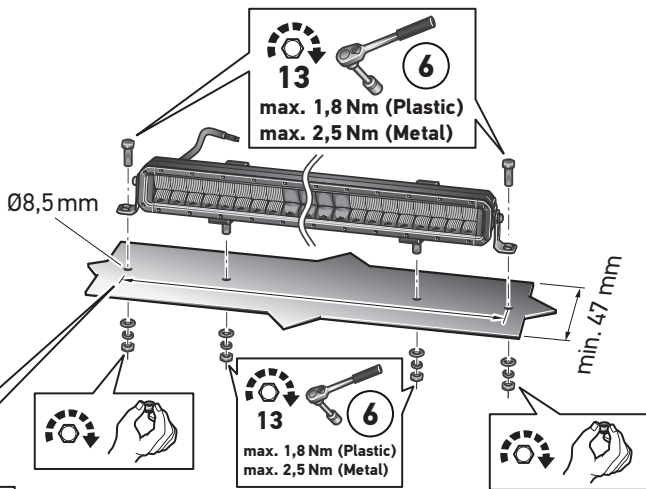
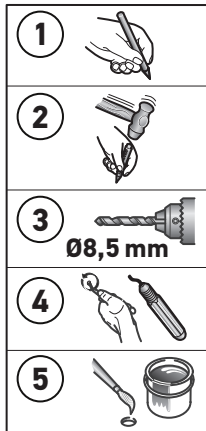
1FJ 358 196-621

1GJ 358 197-621

1GJ 358 197-631

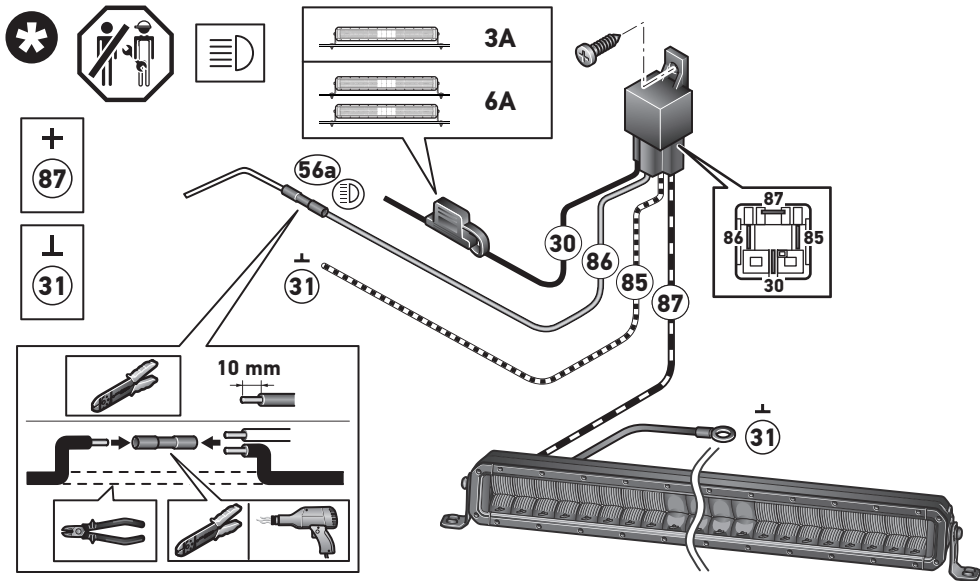
1GJ 358 197-641



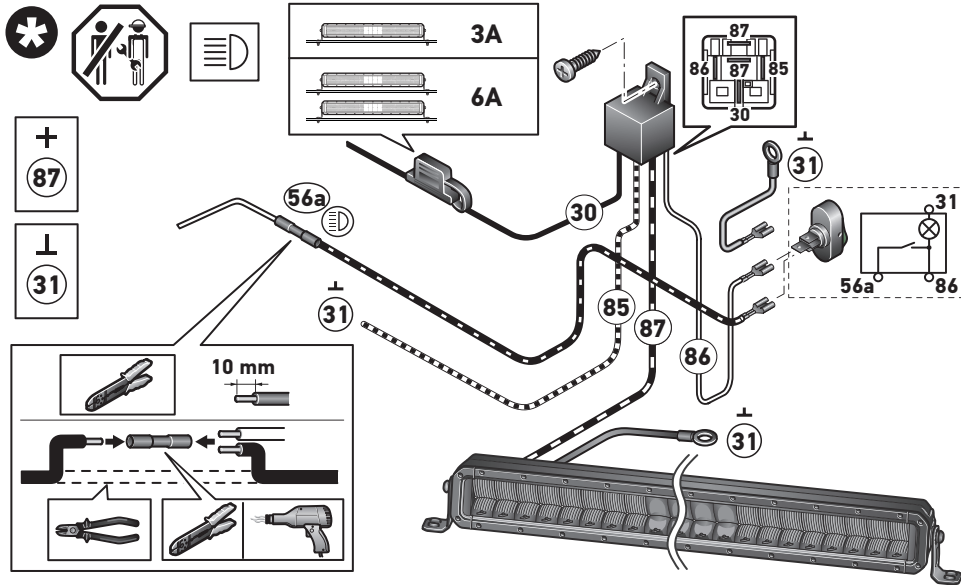


1FJ 358 196-421	1114 mm
1GJ 358 197-421	1114 mm
1GJ 358 197-431	1318 mm
1GJ 358 197-441	1369 mm

Electrical connection



Electrical connection



	Nominal voltage	Range of voltage	Input values	Admissible ambient temperature	Class of protection
1FJ 358 196-401	12V	10V - 30V	6.9A	-40°C ... +60°C	IP68 IP69K
	24V		3.5A		
1FJ 358 196-411	12V		9.2A		
	24V		4.7A		
1FJ 358 196-421	12V		13.5A		
	24V		6.5A		
1FJ 358 196-451	12V		1.9A		
	24V		1A		
1FJ 358 196-461	12V		3.4A		
	24V		1.9A		
1GJ 358 197-401	12V		6.7-14.6A		
	24V		3.5-7.2A		
1GJ 358 197-411	12V		9.3-20.8A		
	24V		4.9-10.1A		
1GJ 358 197-421	12V		13.5-28A		
	24V		8.4-18.3A		
1GJ 358 197-431	12V	16.1-30.6A			
	24V	8-16.4A			
1GJ 358 197-441	12V	16.6-35.5A			
	24V	8.2-17.7A			

Operation of the light using alternating voltage or clocked direct voltage is not permitted!

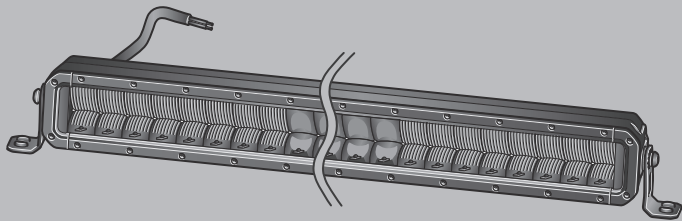
EN

PRODUCT LIABILITY

- National mounting, fitting and operating regulations must be heeded and kept.
- Please read all the instructions and safety notes included before using the device.
- We reserve the right to make technical and optical modifications within the course of product improvement.
- Only use original spare parts or spare parts approved by HELLA.
- If you have any questions or problems with the installation, please contact HELLA Customer Services, a wholesaler or your garage.
- Further information is available on our website (www.hella.com/techworld)

EN

Check that the lighting system is working perfectly



HELLA GmbH & Co. KGaA

Rixbecker Straße 75

59552 Lippstadt /Germany

www.hella.com

© HELLA GmbH & Co. KGaA, Lippstadt

460 881-96 /08.22