



## LED REAR CLEARANCE / SIDEMARKER / IDENTIFICATION LAMP

### Regulatory Compliance

This lamp is identified by lens marking SAE P2 P3 99 DOT and was manufactured to comply with applicable test requirements of FMVSS No. 108 performed in accordance with SAE standards J592e and J2042.

- Lamp mounting surface must be vertical to the ground.
- Lamp must be visible from 45° left and 45° right, as well as 20° above and below the horizontal axis.
- Lamp reference axis must be:
  - For Rear Side Marker function: Parallel to the vehicle longitudinal axis
  - For Rear Clearance and Identification function: Perpendicular to the vehicle longitudinal axis

Please refer to FMVSS No. 108, SAE J592e and SAE J2042 for more details.

### Lamp Mounting Instructions

4mm Ø bolts (not included) are recommended to mount the lamp with a maximum head height of 4.5mm.

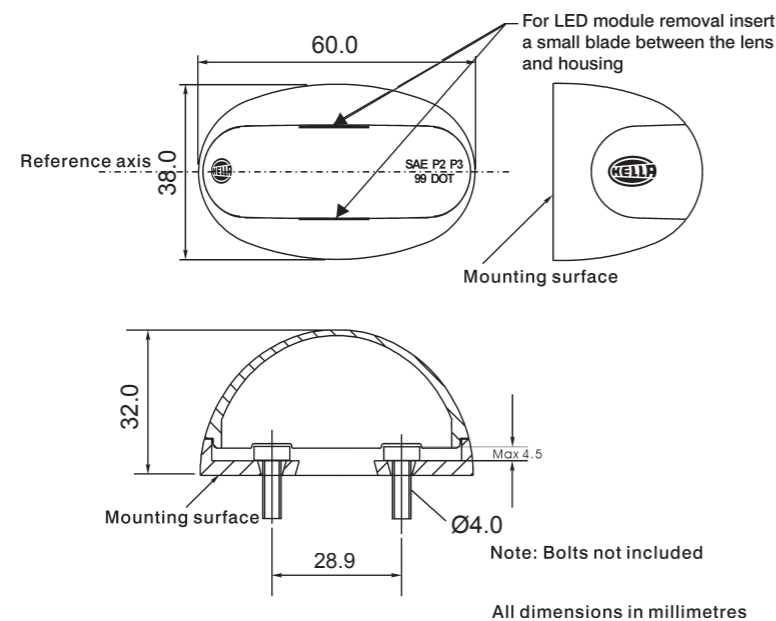
Ensure the lamp is mounted on a flat surface. The housing may be used as a template for the mounting holes. Drill two mounting holes up to 4.5mm Ø 28.9mm apart, and mount the housing. Drill cable entry hole in the centre of the mounting holes at a recommended size of 6mm to 8mm Ø, and ensure the hole has no sharp edges to chafe the cable. Push the cable through the hole and connect the wiring (see wiring instructions below). Push the LED module firmly into the housing until it snaps into position.

### LED Module Instructions

To remove the LED module hold the housing near the base and push firmly on the back of the module.

Note: The LED module is fully sealed and has no serviceable components.

The LED module is securely fastened to prevent dislodging in service, and removal would not normally be required. If it becomes necessary to remove the module, insert a small blade on both sides of the LED module and the housing at the correct position and prise the module free from the housing (See diagram below).



## LED REAR CLEARANCE / SIDEMARKER / IDENTIFICATION LAMP

### Regulatory Compliance

This lamp is identified by lens marking SAE P2 P3 99 DOT and was manufactured to comply with applicable test requirements of FMVSS No. 108 performed in accordance with SAE standards J592e and J2042.

- Lamp mounting surface must be vertical to the ground.
- Lamp must be visible from 45° left and 45° right, as well as 20° above and below the horizontal axis.
- Lamp reference axis must be:
  - For Rear Side Marker function: Parallel to the vehicle longitudinal axis
  - For Rear Clearance and Identification function: Perpendicular to the vehicle longitudinal axis

Please refer to FMVSS No. 108, SAE J592e and SAE J2042 for more details.

### Lamp Mounting Instructions

4mm Ø bolts (not included) are recommended to mount the lamp with a maximum head height of 4.5mm.

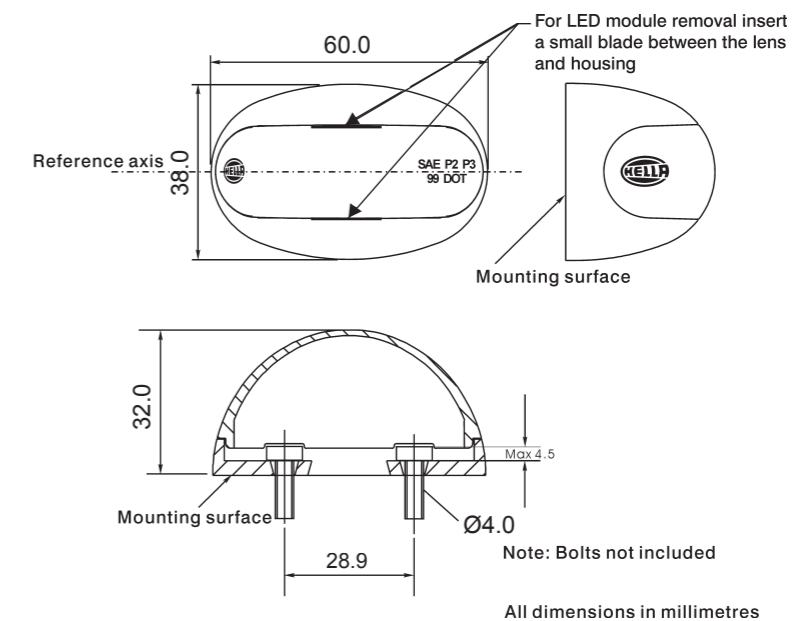
Ensure the lamp is mounted on a flat surface. The housing may be used as a template for the mounting holes. Drill two mounting holes up to 4.5mm Ø 28.9mm apart, and mount the housing. Drill cable entry hole in the centre of the mounting holes at a recommended size of 6mm to 8mm Ø, and ensure the hole has no sharp edges to chafe the cable. Push the cable through the hole and connect the wiring (see wiring instructions below). Push the LED module firmly into the housing until it snaps into position.

### LED Module Instructions

To remove the LED module hold the housing near the base and push firmly on the back of the module.

Note: The LED module is fully sealed and has no serviceable components.

The LED module is securely fastened to prevent dislodging in service, and removal would not normally be required. If it becomes necessary to remove the module, insert a small blade on both sides of the LED module and the housing at the correct position and prise the module free from the housing (See diagram below).





### Compatibility to existing electrical systems

It is important for the installer to ascertain the compatibility of the low power consumption LED lamps with the electrical and/or electronic systems of the complete vehicle, including trailers. In most cases the reduced power consumption is beneficial by imposing less demands on the entire electrical system.

For certain functions some electrical systems rely on a set power consumption for monitoring whether, for example, a trailer is connected.

Operation of this lamp using alternating current or modulated direct voltage will cause premature light failure. HELLA recommends connecting SAE compliant Multivolt LED signal and marker lamps to a continuous (unmodulated) 12V or 24V power supply to ensure safe light operation.

### Wiring Colour Coding

This lamp is multi voltage capable allowing full light output between 8 and 28 volts. LED lamps are polarity conscious. Reverse polarity will not damage this product but will inhibit its function. HELLA recommends wire connections be soldered, and heat shrink tubing applied to seal the joint.

Colour	Connect to	Power Consumption
Black	Earth (-)	-
Red	Positive (+) 8-28V DC	0.5 Watt

NB: Lamp must be protected by a fuse rated at 2 amperes maximum.



### Compatibility to existing electrical systems

It is important for the installer to ascertain the compatibility of the low power consumption LED lamps with the electrical and/or electronic systems of the complete vehicle, including trailers. In most cases the reduced power consumption is beneficial by imposing less demands on the entire electrical system.

For certain functions some electrical systems rely on a set power consumption for monitoring whether, for example, a trailer is connected.

Operation of this lamp using alternating current or modulated direct voltage will cause premature light failure. HELLA recommends connecting SAE compliant Multivolt LED signal and marker lamps to a continuous (unmodulated) 12V or 24V power supply to ensure safe light operation.

### Wiring Colour Coding

This lamp is multi voltage capable allowing full light output between 8 and 28 volts. LED lamps are polarity conscious. Reverse polarity will not damage this product but will inhibit its function. HELLA recommends wire connections be soldered, and heat shrink tubing applied to seal the joint.

Colour	Connect to	Power Consumption
Black	Earth (-)	-
Red	Positive (+) 8-28V DC	0.5 Watt

NB: Lamp must be protected by a fuse rated at 2 amperes maximum.