



ADR - APPLICATION AND MOUNTING INSTRUCTIONS
ADR 76/00 Daytime Running Lamp

LED SAFETY DAYLIGHTS™ - DRL KIT
2PT 980 970-xxx / 5636: 12V DC Only

5636-24V: 24V DC Only

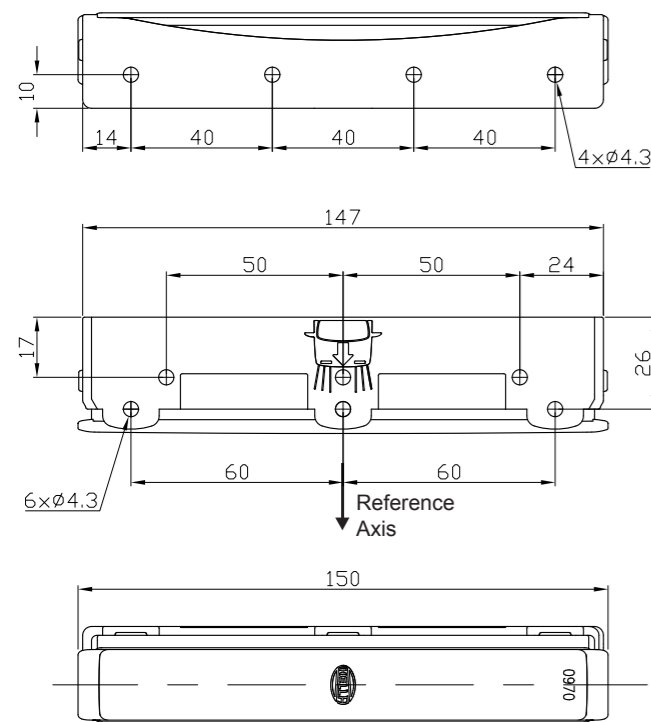
Lens Marking and ADR 13/00 Installation Requirements

This lamp, identified by lens marking 0970 and the logo was manufactured to comply with:
ADR 76/00 Daytime Running Lamp.

- The reference axis of the lamp must be parallel to the longitudinal axis of the vehicle.
- The centre line of the lamp module must be parallel to the ground.
- Lamp must be visible from 20° inboard and outboard, as well as from 10° above and below the horizontal axis.
- Lamps must be mounted no less than 250 mm and no more than 1500 mm above the ground.
- Lamps should not be mounted closer than 600 mm together (400 mm if vehicle width is less than 1300 mm).
- Lamp modules must be mounted within 400 mm of the widest point of the vehicle and no closer than 600 mm together.

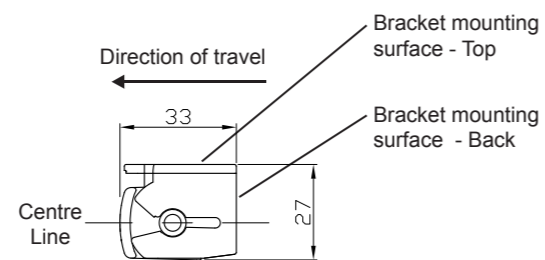
Notes: Please refer to ADR 13/00 for more details.

Product Dimensions (mm) and Contents



Description	5636	5636-BL	5636-24V
LED Safety DayLight™ with 2.5 m cable	x2 (P/N 1013)	x2	x2 (P/N 1013-24V)
Mounting Bracket	x2	x2	x2
Mounting Screw	x6	x6	x6
5 Pin Change-over Relay	x1 (P/N 3080)	-	x1 (P/N 3081)
Safety DayLights™ Smart Controller (P/N 3090)	-	x1	-
Mounting Instructions	x1	x1	x1

LENS IDENTIFICATION NUMBER: 0970



CATALOGUE NUMBER	ENGINEERING NUMBER	CRN NUMBER	COMPLIANCE NUMBER	ADR 51/00 GLOBE	ADR APPLICABLE
1013 1013-24V	2PT 980 970-00 2PT 980 970-50	44776 44783	NDR12100302 NDR12100301	N/A LED	ADR 76/00

AMENDMENTS			ADR COMPLIANCE VERIFIED	ISSUE DATE:
				11/2012



ADR - APPLICATION AND MOUNTING INSTRUCTIONS
ADR 76/00 Daytime Running Lamp

LED SAFETY DAYLIGHTS™ - DRL KIT
2PT 980 970-xxx / 5636: 12V DC Only

5636-24V: 24V DC Only

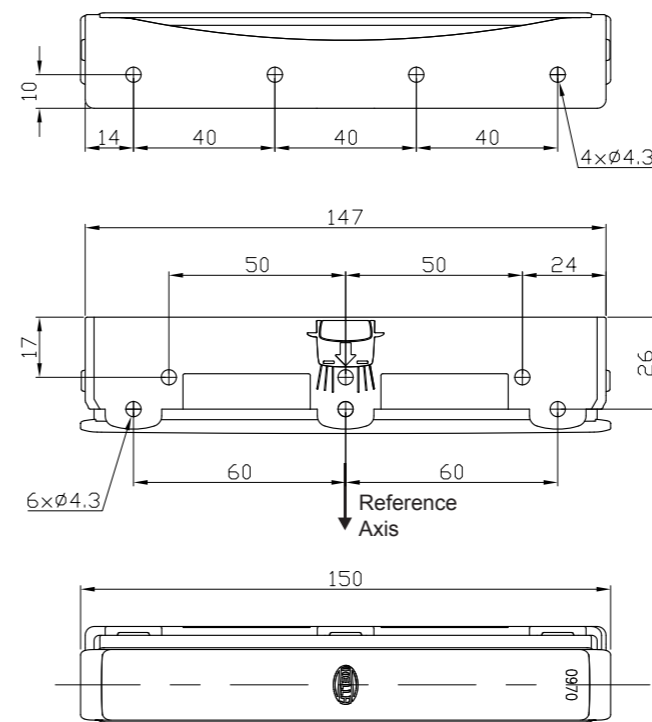
Lens Marking and ADR 13/00 Installation Requirements

This lamp, identified by lens marking 0970 and the logo was manufactured to comply with:
ADR 76/00 Daytime Running Lamp.

- The reference axis of the lamp must be parallel to the longitudinal axis of the vehicle.
- The centre line of the lamp module must be parallel to the ground.
- Lamp must be visible from 20° inboard and outboard, as well as from 10° above and below the horizontal axis.
- Lamps must be mounted no less than 250 mm and no more than 1500 mm above the ground.
- Lamps should not be mounted closer than 600 mm together (400 mm if vehicle width is less than 1300 mm).
- Lamp modules must be mounted within 400 mm of the widest point of the vehicle and no closer than 600 mm together.

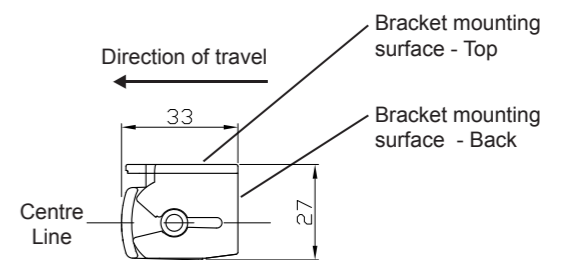
Notes: Please refer to ADR 13/00 for more details.

Product Dimensions (mm) and Contents



Description	5636	5636-BL	5636-24V
LED Safety DayLight™ with 2.5 m cable	x2 (P/N 1013)	x2	x2 (P/N 1013-24V)
Mounting Bracket	x2	x2	x2
Mounting Screw	x6	x6	x6
5 Pin Change-over Relay	x1 (P/N 3080)	-	x1 (P/N 3081)
Safety DayLights™ Smart Controller (P/N 3090)	-	x1	-
Mounting Instructions	x1	x1	x1

LENS IDENTIFICATION NUMBER: 0970



CATALOGUE NUMBER	ENGINEERING NUMBER	CRN NUMBER	COMPLIANCE NUMBER	ADR 51/00 GLOBE	ADR APPLICABLE
1013 1013-24V	2PT 980 970-00 2PT 980 970-50	44776 44783	NDR12100302 NDR12100301	N/A LED	ADR 76/00

AMENDMENTS			ADR COMPLIANCE VERIFIED	ISSUE DATE:
				11/2012



Mounting Instructions

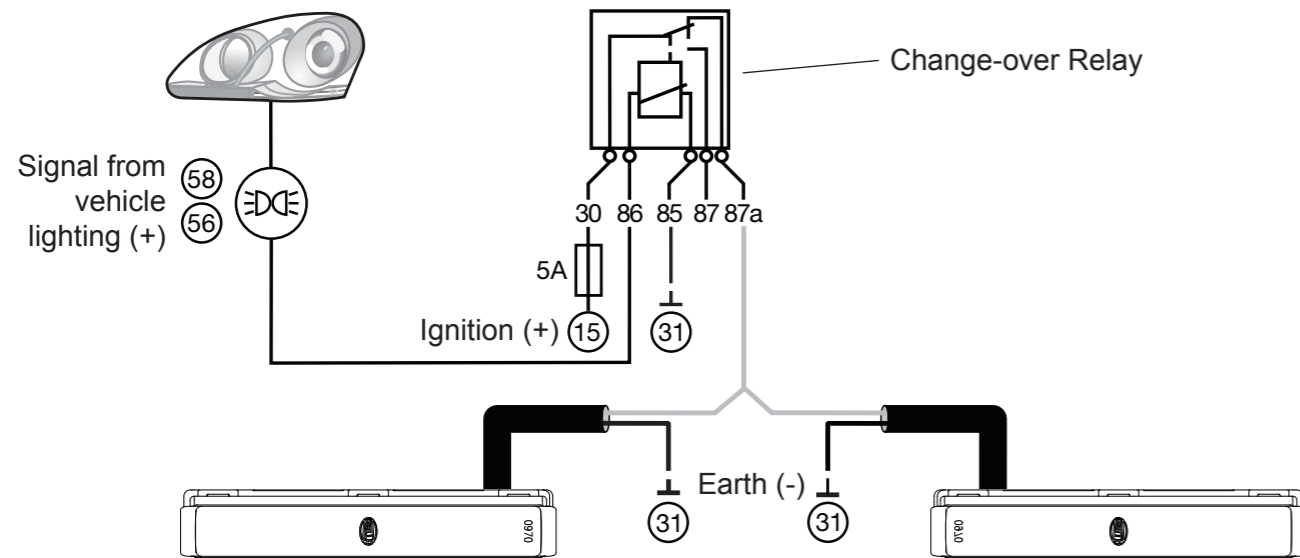
- Drill three Ø3 mm mounting holes through the desired mounting surface to allow fitment of each mounting bracket. See previous page for correct positioning or use the mounting brackets as templates.
- Tighten the mounting screws to secure the mounting bracket (Maximum torque 1.5 Nm).
- Push one end of the lamp module into the hole at one end of the mounting bracket.
- Adjust the angle of the lamp module inside the mounting bracket so that its centre line is parallel with the ground.
- Push the other end of the lamp module into the slot of the mounting bracket until it clicks into place.

Wiring Instructions

- It is a legal requirement for daytime running lamps to illuminate only when the ignition is switched ON and the vehicle lighting is switched OFF.
- To meet this requirement it is recommended that a 5 pin change-over relay is utilised as per the wiring diagram below. For blister packed Safety DayLight™ DRL kits also refer to the mounting instructions included with the Safety Daylights™ Smart Controller.

Wire Colour	Connect to	Power Consumption
Black	Terminal 31: Earth (-)	-
Red	Terminal 87a: DRL signal (+)	2 watts

- Note 1: Lamps and relay must be protected by a fuse rated at 5 amperes maximum.
 Note 2: Lamp is polarity conscious. The reversal of the polarity will not damage this product but will inhibit its function.
 Note 3: Daytime running lamps are not a substitute for dipped beam headlights at dusk/dawn or during darkness.



Warranty Statement

Congratulations! The product you have selected comes from HELLA - one of the world's leading manufacturers of lighting products. The product comes with a 5 year warranty from end user purchase covering faults in materials, components or workmanship.

In the unlikely event that you should experience a confirmed warranty related problem with your purchase, HELLA will, at its discretion, either repair, replace or refund the purchase price of the product.

Warranty services may be obtained by returning the product within the warranty period to the HELLA Dealer where the product was originally purchased. This warranty is in addition to and does not preclude any other rights or remedies available to the consumer under any local legislation related to the provision of goods or services.

Our goods come with guarantees that cannot be excluded under the Australian Consumer Law. You are entitled to a replacement or refund for a major failure and for compensation for any other reasonably foreseeable loss or damage. You are also entitled to have the goods repaired or replaced if the goods fail to be of acceptable quality and the failure does not amount to a major failure.

- This warranty does not cover:
- 1.) Claim/s as a result of normal wear and tear or of any modifications and / or alterations to the product in any shape or form.
 - 2.) Claim/s as a result of non-compliance of the assembly, service and operating instructions and/or any unfit or improper use.
 - 3.) Any expenses incurred in the process of making the claim.

Note: For lamps sold in Australia, warranty services are provided by Hella Australia Pty Ltd., 4 Hargrave Place, Mentone, Victoria, 3194 Australia. Customer Service 1800 061 729 email: custservice@hella.com https://www.hella.com/hella-au/assets/media_global/IAM_Statement_of_Warranty.pdf

For general comments about Hella's products please contact us on E-mail at techfeedback@hella.co.nz



Mounting Instructions

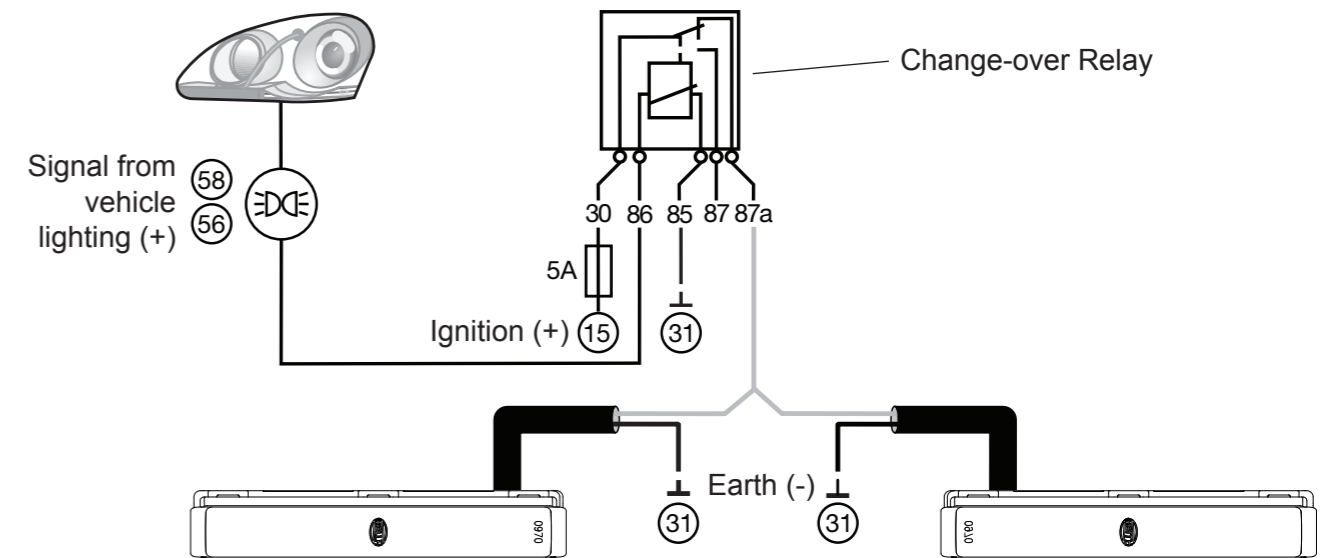
- Drill three Ø3 mm mounting holes through the desired mounting surface to allow fitment of each mounting bracket. See previous page for correct positioning or use the mounting brackets as templates.
- Tighten the mounting screws to secure the mounting bracket (Maximum torque 1.5 Nm).
- Push one end of the lamp module into the hole at one end of the mounting bracket.
- Adjust the angle of the lamp module inside the mounting bracket so that its centre line is parallel with the ground.
- Push the other end of the lamp module into the slot of the mounting bracket until it clicks into place.

Wiring Instructions

- It is a legal requirement for daytime running lamps to illuminate only when the ignition is switched ON and the vehicle lighting is switched OFF.
- To meet this requirement it is recommended that a 5 pin change-over relay is utilised as per the wiring diagram below. For blister packed Safety DayLight™ DRL kits also refer to the mounting instructions included with the Safety Daylights™ Smart Controller.

Wire Colour	Connect to	Power Consumption
Black	Terminal 31: Earth (-)	-
Red	Terminal 87a: DRL signal (+)	2 watts

- Note 1: Lamps and relay must be protected by a fuse rated at 5 amperes maximum.
 Note 2: Lamp is polarity conscious. The reversal of the polarity will not damage this product but will inhibit its function.
 Note 3: Daytime running lamps are not a substitute for dipped beam headlights at dusk/dawn or during darkness.



Warranty Statement

Congratulations! The product you have selected comes from HELLA - one of the world's leading manufacturers of lighting products. The product comes with a 5 year warranty from end user purchase covering faults in materials, components or workmanship.

In the unlikely event that you should experience a confirmed warranty related problem with your purchase, HELLA will, at its discretion, either repair, replace or refund the purchase price of the product.

Warranty services may be obtained by returning the product within the warranty period to the HELLA Dealer where the product was originally purchased. This warranty is in addition to and does not preclude any other rights or remedies available to the consumer under any local legislation related to the provision of goods or services.

Our goods come with guarantees that cannot be excluded under the Australian Consumer Law. You are entitled to a replacement or refund for a major failure and for compensation for any other reasonably foreseeable loss or damage. You are also entitled to have the goods repaired or replaced if the goods fail to be of acceptable quality and the failure does not amount to a major failure.

- This warranty does not cover:
- 1.) Claim/s as a result of normal wear and tear or of any modifications and / or alterations to the product in any shape or form.
 - 2.) Claim/s as a result of non-compliance of the assembly, service and operating instructions and/or any unfit or improper use.
 - 3.) Any expenses incurred in the process of making the claim.

Note: For lamps sold in Australia, warranty services are provided by Hella Australia Pty Ltd., 4 Hargrave Place, Mentone, Victoria, 3194 Australia. Customer Service 1800 061 729 email: custservice@hella.com https://www.hella.com/hella-au/assets/media_global/IAM_Statement_of_Warranty.pdf

For general comments about Hella's products please contact us on E-mail at techfeedback@hella.co.nz