

# INSTRUCTION SHEET

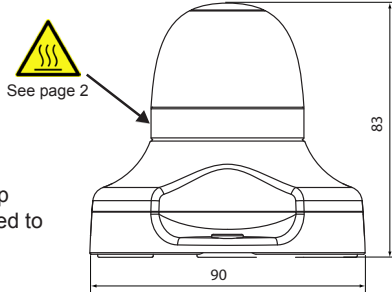
for: **Part No. 2XA 980 910-xx / 980910xx**



## LED 360° Signal Warning Lamp

Housing Description:	UV resistant Grilamid® lens and ASA housing
Light source:	Single LED
Operating Voltage:	Multivolt 9-33V DC
Power Consumption:	< 5W
Protective System:	IP67

General Dimensions (mm)



### Mounting Instructions

The lamp should be mounted on a flat surface.

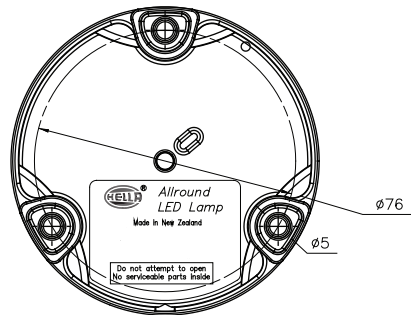
Drill three 5mm Ø mounting holes using the lamp base as a template. The lamp has been designed to use M5 bolts / screws (not supplied).

If passing the cable through a hole, ensure there are no sharp edges to cut or chafe the cable. Alternatively, cable can be routed through the sides of the base. \*

Connect lamp as per table below.

Try to keep the cable as long as possible, preferably join the cable inside a sealed cable junction box.

\* Requires a section of the base to be drilled / broken out.



### Wiring Colour Coding

The lamp is multivolt capable allowing full light output between 9 and 33 volts. LED modules are polarity conscious. Reverse polarity will not damage this product but will inhibit its function.

HELLA recommends wire connections be soldered, and heat shrink tubing applied to seal the joint.

Cable Colour	Connect to	Power Consumption
White	Negative (-)	-
Yellow	Signal (+)	Less than 5 watts

**Note:** Lamp must be protected by a fuse rated at 5 amperes maximum.

The **Signal** (yellow) cable is protected against large voltage spikes such as an alternator load dump.

# Important Notes for Installer and Owner



## Introduction

This Multivolt LED lamp offers many advantages over conventional bulb lamps. Significantly reduced power consumption, ultra long life and high tolerance to shock and vibration make this LED lamp the ideal choice for industrial and commercial applications.

## Electromagnetic Compatibility (EMC)

This LED lamp is an electronic device. The electrical circuits contain components that suppress possible interference, both emission as well as susceptibility, to the technical requirements for the application of the Regulatory Compliance Mark (RCM). Additionally the electrical circuits conform to the limits prescribed in UNECE Vehicle Regulation No. 10.

To avoid false signals or interference, it is standard practice that sensitive instrumentation such as ABS and Tachometers etc. are provided with direct earths.

## Protection against damage due to voltage spikes

This LED lamp is protected against damage from positive voltage spikes caused by events such as load dump conditions up to severity level 3 of ISO 7637-2. The lamp is protected against reverse polarity connection and negative voltage spikes of up to 1000 volts.

## Electric Welding

Electric Welding may damage the LED lamps. For LED lamps, HELLA recommends the negative connection to be wired isolated from the vehicle chassis. If the lamp uses the chassis as the earth return it is recommended that this earth return is disconnected during electric welding.

## Hot Surface Temperatures

Be careful when handling the lamp as the aluminium heat sink can reach temperatures over 65°C depending upon the ambient temperature and the duration of operation. Please be careful not to cover this surface as this could cause the lamp to overheat.

## ***FIT AND FORGET - BY DESIGN***



**Congratulations!** The product you have selected comes from **HELLA** - a world leader in LED lighting design.

Following the launch of the first LED automotive signal lamps in 1990, **HELLA** Design and Innovation continues to set new standards. **HELLA** innovative solutions have been incorporated into millions of lamps, engineered and tested to the most demanding standards, to suit the harshest environmental conditions.

The corner stone of the success of our products is our no compromise "Fit and Forget - by Design" philosophy which is incorporated into every step of the product life cycle.

In a world consuming finite resources at an ever increasing rate, Fit and Forget –by Design is the right environmental choice that also makes economic sense for our customers that consider the total life cycle Cost of Ownership.