



Compact Square LED Downlight

Introduction

HELLA LED lamps are an attractive, energy efficient, no maintenance solution for a variety of interior and exterior lighting applications.

Designed and manufactured in New Zealand, Hella Compact LED Downlights feature a mounting depth of 19mm. Rims are available in chrome plated plastic, gold plated plastic, satin chrome plated plastic, black or white plastic.

HELLA LED lamps consume a fraction of the energy of traditional bulb lamps and run very cool due to their low current draw. This provides safer installation into light weight materials where the heat of traditional lamps may cause damage to the surrounding structure.

Advanced HELLA lens technology provides a cool and even spread of soft light without glare or strain on your eyes.

Lens material	UV resistant enhanced impact acrylic
Rim material	UV resistant plastic
Light Source	LED
Dimming	Dimmed via HELLA 2 Group Dimmer 5XA 998 572-001
Cable	Pre-wired with 120mm of single core marine cable. UL listed.
Operating Voltage	12V DC or 24V DC
Power Consumption	1W (< 0.07A @ 12V / < 0.03A @ 24V)
Degree of Protection	IP 67 - Completely sealed
Weight	48g (including cable)
Installation	Recess mounted into 50mm diameter hole. Secured with 4 screws.
Manufacturing Location	New Zealand



Compact Square LED Downlight

Introduction

HELLA LED lamps are an attractive, energy efficient, no maintenance solution for a variety of interior and exterior lighting applications.

Designed and manufactured in New Zealand, HELLA Compact LED Downlights feature a mounting depth of 19mm. Rims are available in chrome plated plastic, gold plated plastic, satin chrome plated plastic, black or white plastic.

HELLA LED lamps consume a fraction of the energy of traditional bulb lamps and run very cool due to their low current draw. This provides safer installation into light weight materials where the heat of traditional lamps may cause damage to the surrounding structure.

Advanced HELLA lens technology provides a cool and even spread of soft light without glare or strain on your eyes.

Lens material	UV resistant enhanced impact acrylic
Rim material	UV resistant plastic.
Light Source	LED
Dimming	Dimmed via HELLA 2 Group Dimmer 5XA 998 572-001
Cable	Pre-wired with 120mm of single core marine cable. UL listed.
Operating Voltage	12V DC or 24V DC
Power Consumption	1W (< 0.07A @ 12V / < 0.03A @ 24V)
Degree of Protection	IP 67 - Completely sealed
Weight	48g (including cable)
Installation	Recess mounted into 50mm diameter hole. Secured with 4 screws.
Manufacturing Location	New Zealand

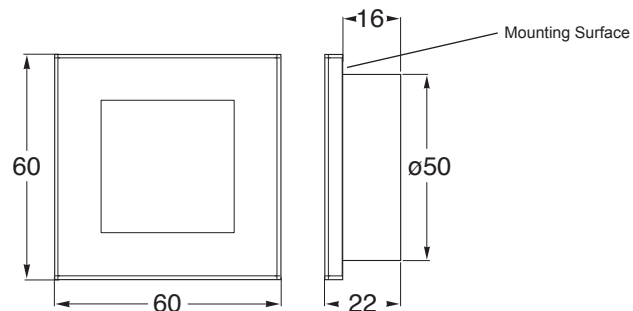
INSTRUCTION SHEET



Lamp Mounting Instructions

Ensure the lamp is mounted on a flat surface with the gasket provided. The lens may be used as a template for drilling the four mounting holes. The mounting holes should be on the corners of a 45mm square. Mount the lamp and fit lamp bezel to lens.

Note: Lamp is fully sealed and has no serviceable components.



All dimension in millimetres

Wiring Colour Coding

LED modules are polarity conscious. Reverse polarity will not damage this product but will inhibit its function. HELLA recommends wire connections be soldered, and heat shrink tubing applied to seal the joint.

Cable colour	Connect to	Power Consumption
Coloured cable	Positive (+)	1 watt
Black cable	Negative (-)	-

NB: Lamp must be protected by a fuse rated at 2 amperes maximum.

FIT AND FORGET - BY DESIGN

Congratulations! The product you have selected comes from **HELLA** - a world leader in LED lighting design.

Following the launch of the first LED automotive signal lamps in 1990, **HELLA** Design and Innovation continues to set new standards. **HELLA** innovative solutions have been incorporated into millions of lamps, engineered and tested to the most demanding standards, to suit the harshest environmental conditions.

The corner stone of the success of our products is our no compromise "Fit and Forget - by Design" philosophy which is incorporated into every step of the product life cycle.

In a world consuming finite resources at an ever increasing rate, Fit and Forget –by Design is the right environmental choice that also makes economic sense for our customers that consider the total life cycle Cost of Ownership.

For general comments about HELLA's products please contact us on E-mail at techfeedback@hella.co.nz



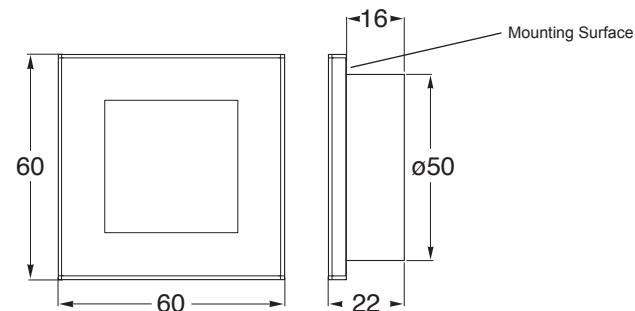
INSTRUCTION SHEET



Lamp Mounting Instructions

Ensure the lamp is mounted on a flat surface with the gasket provided. The lens may be used as a template for drilling the four mounting holes. The mounting holes should be on the corners of a 45mm square. Mount the lamp and fit lamp bezel to lens.

Note: Lamp is fully sealed and has no serviceable components.



All dimension in millimetres

Wiring Colour Coding

LED modules are polarity conscious. Reverse polarity will not damage this product but will inhibit its function. HELLA recommends wire connections be soldered, and heat shrink tubing applied to seal the joint.

Cable colour	Connect to	Power Consumption
Coloured cable	Positive (+)	1 watt
Black cable	Negative (-)	-

NB: Lamp must be protected by a fuse rated at 2 amperes maximum.

FIT AND FORGET - BY DESIGN

Congratulations! The product you have selected comes from **HELLA** - a world leader in LED lighting design.

Following the launch of the first LED automotive signal lamps in 1990, **HELLA** Design and Innovation continues to set new standards. **HELLA** innovative solutions have been incorporated into millions of lamps, engineered and tested to the most demanding standards, to suit the harshest environmental conditions.

The corner stone of the success of our products is our no compromise "Fit and Forget - by Design" philosophy which is incorporated into every step of the product life cycle.

In a world consuming finite resources at an ever increasing rate, Fit and Forget –by Design is the right environmental choice that also makes economic sense for our customers that consider the total life cycle Cost of Ownership.

For general comments about HELLA's products please contact us on E-mail at techfeedback@hella.co.nz

