

Important Notes for Installer and Vehicle Owner



Introduction

This Multivolt LED lamp offers many advantages over conventional bulb lamps. Significantly reduced power consumption, ultra long life and high tolerance to shock and vibration make these Hella LED lamps an outstanding investment into your safety.

Daytime Running Lamps

Daytime running lamps are not a substitute for dipped beam headlights at dusk/dawn or during darkness. It is important for the installer to check that the daytime running lamps illuminate only when the vehicle lighting is switched OFF and the ignition is switched ON.

Compatibility to existing electrical systems

It is important for the installer to ascertain the compatibility of the low power consumption LED lamps with the electrical and/or electronic systems of the complete vehicle. In most cases the small additional power consumption of the daytime running lamp will not impose significant demands to the electrical system of the vehicle.

Electromagnetic Compatibility (EMC)

This LED lamp is an electronic device. The electrical circuits contain components that suppress possible interference, both emission as well as susceptibility, to the technical requirements for the application of the Regulatory Compliance Mark (RCM). Additionally the electrical circuits conform to the limits prescribed in UNECE Vehicle Regulation No. 10.

Protection against damage due to voltage spikes

This LED lamp is protected against damage from positive voltage spikes caused by events such as load dump conditions specified in ISO 7637-2.

The lamp is protected against reverse polarity connection and reverse voltage spikes up to minus 1000 volts.

Electric Welding

Electric Welding may damage the LED lamps. For LED lamps, Hella recommends the negative connection to be wired isolated from the vehicle chassis. If the lamp uses the chassis as the earth return it is recommended that this earth return is disconnected during electric welding.

Warranty Statement

Congratulations! The product you have selected comes from Hella - one of the world's leading manufacturers of lighting products. The product comes with a 5 year warranty from end user purchase covering faults in materials, components or workmanship.

In the unlikely event that you should experience a confirmed warranty related problem with your purchase, Hella will, at its discretion, either repair, replace or refund the purchase price of the product.

Warranty services may be obtained by returning the product within the warranty period to the Hella Dealer where the product was originally purchased. This warranty is in addition to and does not preclude any other rights or remedies available to the consumer under any local legislation related to the provision of goods or services.

Our goods come with guarantees that cannot be excluded under the Australian Consumer Law. You are entitled to a replacement or refund for a major failure and for compensation for any other reasonably foreseeable loss or damage. You are also entitled to have the goods repaired or replaced if the goods fail to be of acceptable quality and the failure does not amount to a major failure.

This warranty does not cover:

- 1.) Claim/s as a result of normal wear and tear or of any modifications and / or alterations to the product in any shape or form.
- 2.) Claim/s as a result of non-compliance of the assembly, service and operating instructions and/or any unfit or improper use.
- 3.) Any expenses incurred in the process of making the claim.

Note: For lamps sold in Australia, warranty services are provided by Hella Australia Pty Ltd., 4 Hargrave Place, Mentone, Victoria, 3194 Australia.
Customer Service 1800 061 729 email: custservice@hella.com https://www.hella.com/hella-au/assets/media_global/IAM_Statement_of_Warranty.pdf

For general comments about Hella's products please contact us on E-mail at techfeedback@hella.co.nz



INSTRUCTION SHEET
for: **2PT 980 670-801 / 5617**



APPLICATION AND MOUNTING INSTRUCTIONS

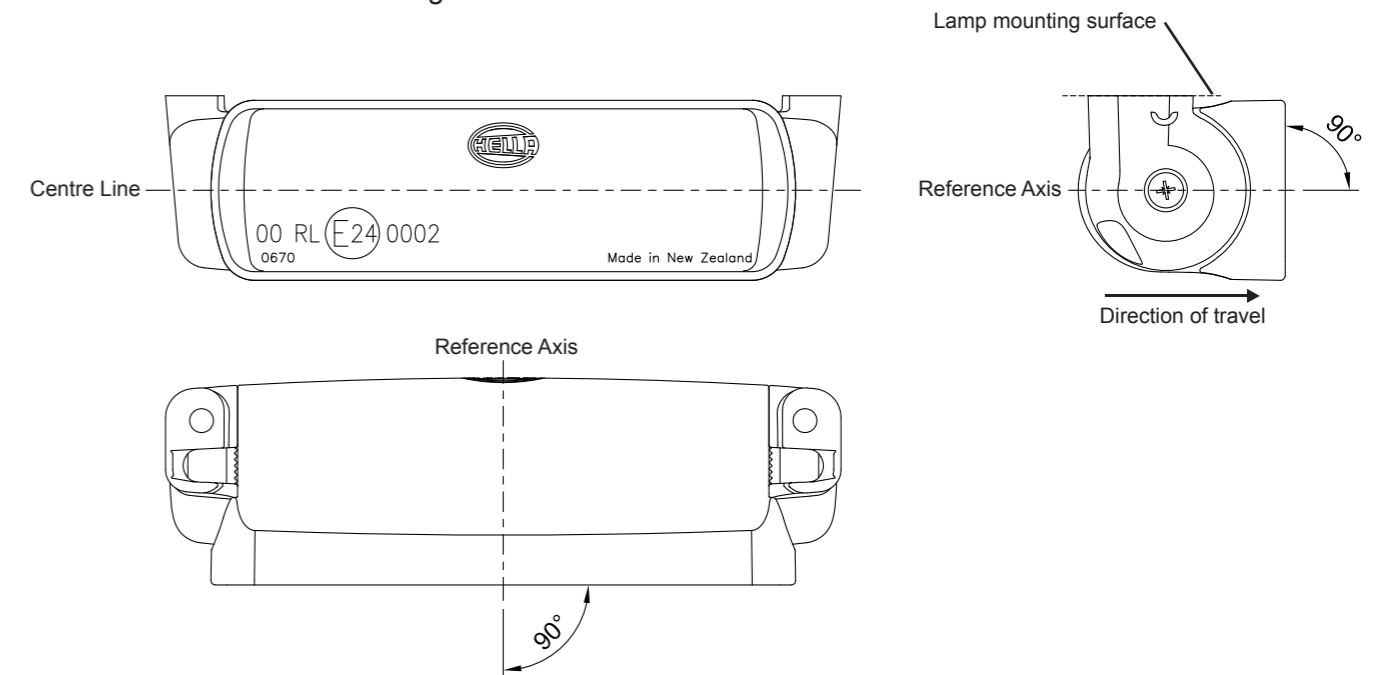
LED DAYTIME RUNNING LAMP (DRL) KIT Multivolt 9 - 33V DC

Lens Marking and Installation Requirements

This lamp, identified by lens marking  0002 and the  logo was manufactured to comply with ECE Regulation No. 87 for Daytime Running Lamp.

- The reference axis of the lamp must be parallel to the longitudinal axis of the vehicle (i.e. The lens of the lamp should be vertical to the ground and perpendicular to the direction of travel).
- The centre line of the lamp must be parallel to the ground.
- Lamp must be visible from 20° inboard and outboard, as well as from 10° above and below the horizontal axis.
- Two lamps are required for motor vehicles.
- Lamps must be mounted no less than 250 mm and no more than 1500 mm above the ground.
- Lamps should not be mounted closer than 600 mm together (400 mm if vehicle width is less than 1300 mm).

Notes: Please refer to ECE Regulation No. 48 for more details.



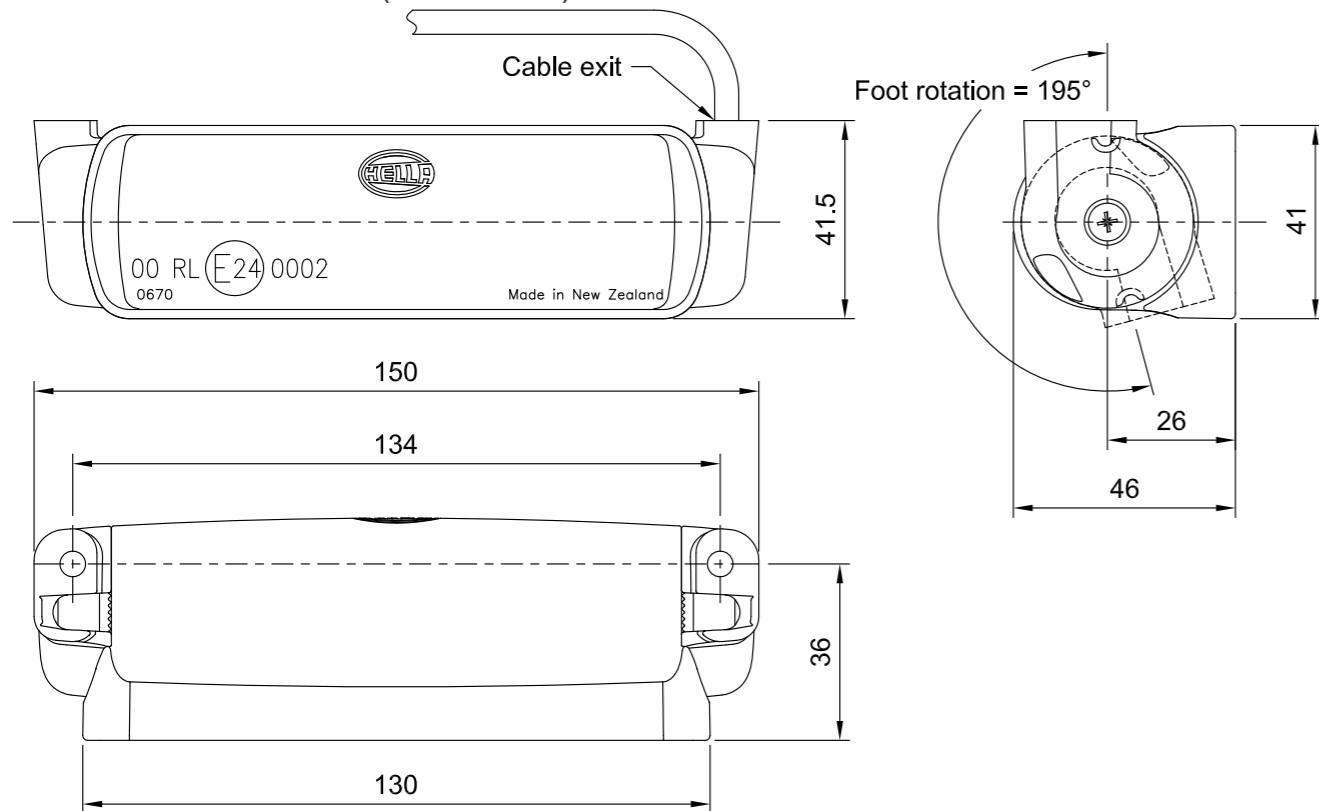
LENS IDENTIFICATION NUMBER: 00 RL E24 0002

Product Contents

Daytime Running Lamp with 0.5 m cable	x2
DRL Foot A	x2
DRL Foot B	x2
Stainless Steel DRL Foot Fastening Screw	x4
Stainless Steel DRL Mounting Bolt, Nut & Washer	x4
3-Pole Super Seal Socket Connector	x2
Insulated Crimp Terminal Cable Connector	x3
Vehicle Cable Loom	x1
Application and Mounting Instructions	x1

Hella-New Zealand Limited, Auckland.

General Dimensions (in millimetres)



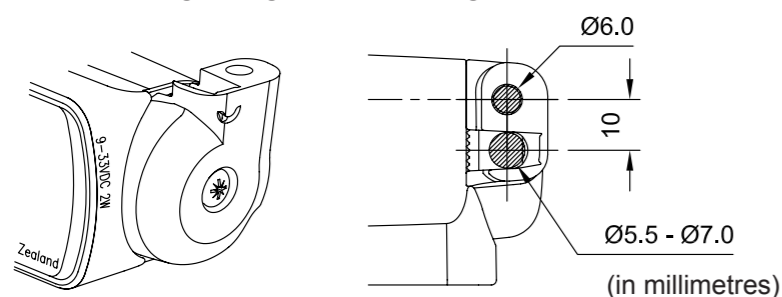
Foot Assembly

- DRL Foot A, marked with an "A" on the inside, can be assembled to the cable end of the lamp.
- DRL Foot B, marked with an "B" on the inside, can be assembled to the opposite end of the lamp.
- The DRL Feet can be rotated from 0° to 195° in 5° increments to suit mounting surfaces that are not horizontal in their orientation. See General Dimensions above.
- Once the DRL Feet are in the desired location, tighten the Foot Fastening Screws until they are secure (maximum torque of 1.5Nm).

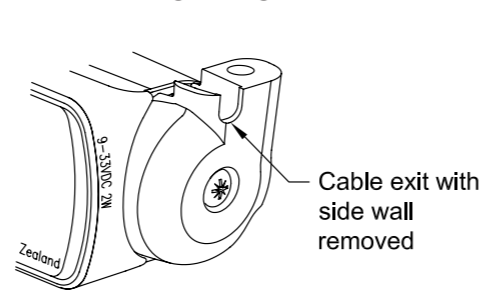
Mounting and Cable Routing

- Drill two 6 mm Ø mounting holes at 134 mm centres through the mounting surface. See General Dimensions and Installation Requirements for correct positioning.
- There are two options to route the cable:
 1. **Cable routing through the mounting surface:** Drill a 5.5 to 7.0 mm Ø hole as per the diagram on the page opposite. Ensure that the hole has no sharp edges to cut or chafe the cable when it is fed through the hole.
 2. **Cable routing through the DRL Foot:** Using side cutters make two vertical cuts to remove the side wall of the DRL Foot as per the diagram below.

1. Cable routing through the mounting surface



2. Cable routing through the DRL Foot



Mounting and Cable Routing (cont..)

- This product is supplied with a spliced cable loom for connecting the DRLs to the electrical system of the vehicle. This loom has two leads of unequal length (2700 mm & 1800 mm) to suit the spacing of the DRLs at the front of the vehicle, and to allow routing down one side of the vehicle for connection to the electrical system.
- Once the cable is routed, secure the lamp to the mounting surface using the supplied M5 screws, washers and nuts.

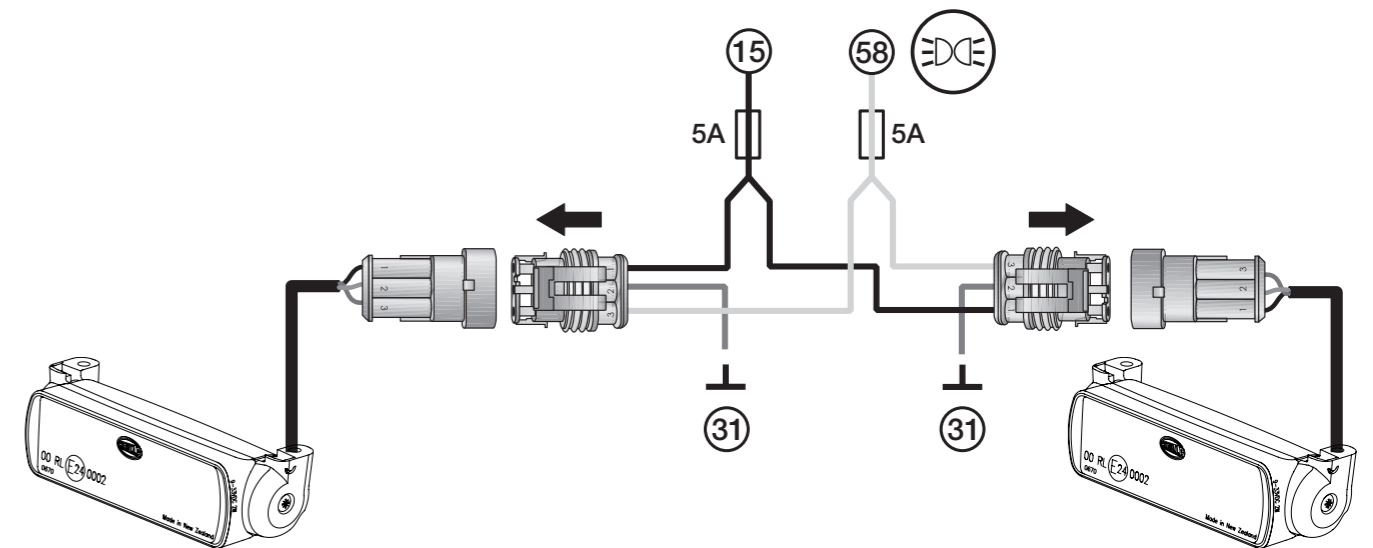
Wiring Instructions

- This LED lamp will illuminate when the supply voltage (+) is applied to the BLACK wire. The lamp will automatically switch OFF when power (+) is applied to the GREY cable when the vehicle's lighting is switched ON.

Colour	Connector Location	Connect to	Function	Power Consumption
Brown	Pin 2	Terminal (31): Earth (-)	-	-
Black	Pin 1	Terminal (15): Ignition (+)	DRL ON	Less than 2 watts
Grey	Pin 3	Either, Terminal (58): Front Position Lamp (+) Or, Terminal (56): Headlamp - Dipped Beam (+)	DRL OFF	-

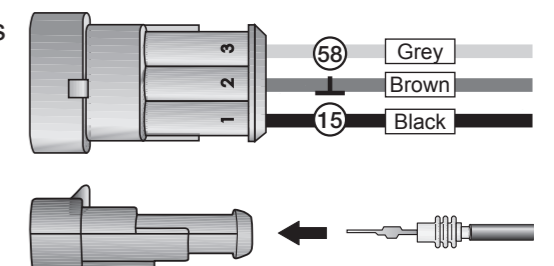
Note 1: Lamps must be protected by a fuse rated at 5 amperes maximum.

Note 2: Lamps are polarity conscious. The reversal of the polarity will not damage this product but will inhibit its function.



Super Seal Connector Assembly

- The lamp has been pre-assembled with terminals and seals to suit the supplied 3-Pole Super Seal Connector.
- Hella recommends that the terminals are assembled into the connector in the configuration shown to the right to match the supplied vehicle cable loom.
- Once the configuration is confirmed, push the terminals firmly until they click into place.



ECE TYPE-APPROVAL CERTIFICATE

Communication concerning approval granted of a type of
daytime running lamp pursuant to
Regulation No. 87.



Approval No: E24 87R-000002.

Extension No: *N/A*.


Reason(s) for extension:

-N/A

- | | |
|--|--|
| 1. Trade name or mark of the device: | HELLA |
| 2. Manufacturer's name for the type of device: | 2PT 980 670 |
| 3. Manufacturer's name and address: | Hella New Zealand Limited
81-83 Ben Lomond Crescent,
Pakuranga, Auckland,
New Zealand |
| 4. If applicable, name and address of manufacturer's representative: | Hella Leuchten-Systeme GmbH
Salzkottener Str. 1
D-33106 Paderborn
Germany |
| 5. Submitted for approval on: | 11.09.2009 |
| 6. Technical service responsible for conducting approval tests: | FAKT S.r.l,
Via Lithos, 53,
I-25086 Rezzato (BS),
Italy. |
| 7. Date of test report issued by that service: | 18.09.2009 |
| 8. Number of report issued by that service: | IT09/0645-00 |

Approval No: E24 87R-000002.

Extension No: *N/A*

- | | |
|--|---|
| 9. Concise description: | |
| By category of lamp: | RL. |
| Number, category and kind of light source(s): | 12-LEDs |
| Voltage and wattage: | 9V-33V, 2W |
| Application of an electronic light source control gear: | |
| -being part of the lamp (yes/no): | No |
| -being not part of the lamp (yes/no): | No |
| Input voltage supplied by an electronic light source control gear: | N/A. |
| Electronic light source control gear manufacturer and identification number (when the light source control gear is part of the lamp but is not included into the lamp body): | N/A. |
| Geometrical conditions of installation and relating variations, if any: | Reference axis parallel to the median longitudinal plane of the vehicle and parallel to the bearing plane of the vehicle on the road (see drawings of the information folder). |
| 10. Position of the approval mark: | See drawings of the information folder |
| 11. Reason(s) for extension (if applicable): | N/A. |
| 12. Approval granted/ extended / refused / withdrawn : | Granted |
| 13. Place: | Dublin. |
| 14. Date: | 23rd September 2009. |
| 15. Signature: |  |
| 16. The following documents, bearing the approval number shown above, are available on request: | |
| - | Technical report IT09/0645-00 |
| - | Manufacturer's information document 09-0645-00 |
| Documentation: | 29 pages. |



NSAI, 1 Swiftsquare, Northwood, Santry, Dublin 9, Ireland. Telephone: (+353+1) 807 3800, Facsimile: 01-807 3844



Hella New Zealand

Mounting Instruction

Anbauanweisung

Type:
Typ:

2PT 980 670

HLS-E-LTLT Ke

34141
11.09.2009

- 1 -

Belongs to approval no.: **E24 0002**
Gehört zu Gen.-Nr.: **E24 0002**

Daytime Running Lamp for Automobile
Tagfahrleuchte für Kraftfahrzeuge

Light source(s):

Lichtquelle(n):

Daytime Running Lamp 12 LED (not exchangeable LED)
Tagfahrleuchte (nicht auswechselbare LED)

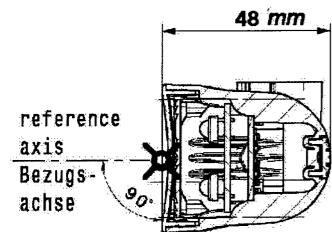
Design voltage : 13.5 V or 28.0 V **Supply voltage:** 9.0 V - 33.0 V **Nominal power:** 2.0 W
Prüfspannung: *Versorgungsspannung:* *Nennleistung:*

☒ = Centre of reference in accordance with the ECE-Regulation-No. 87.
Bezugspunkt nach der ECE-Regelung-Nr. 87.

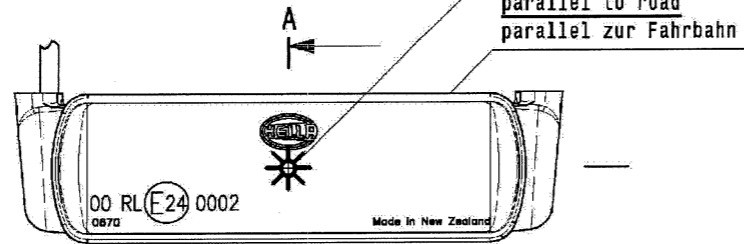
☒ = Centre of reference for the definition of illuminating surface in accordance with the Council Directive 76/756 EEC or ECE-Regulation-No. 48 (see Annex A).
Bezugspunkt zur Bestimmung der Grenzen der leuchtenden Fläche nach 76/756 EWG bzw. ECE-Regelung Nr. 48. Markierung s. auf der Abschluss-Scheibe. Maße s. Anlage A.

Axis of reference: Parallel to the car centre line and parallel to the road.
Bezugsachse: Parallel zur Fahrzeuglängsachse und parallel zur Fahrbahn.

Side - View /
section cut A-A
Ansicht von der Seite /
Schnitt A-A

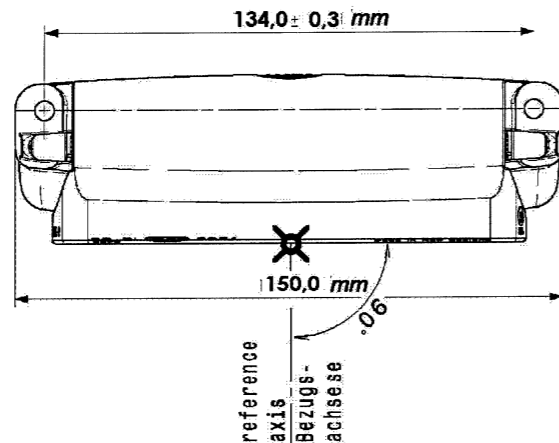


Front - View
Ansicht von vorn



centre of reference border
of illuminating surface
*Bezugspunkt fuer die Grenzen
der leuchtenden Flaechen*

Top - View
Ansicht von oben



The device must be mounted according to the enclosed fitting documents (e. g. sketch + Annex A).
Der An- bzw. Einbau der Geräte hat nach anliegenden An- bzw. Einbauunterlagen (z. B. Skizze und Anlage A) zu erfolgen.



HELLA New Zealand

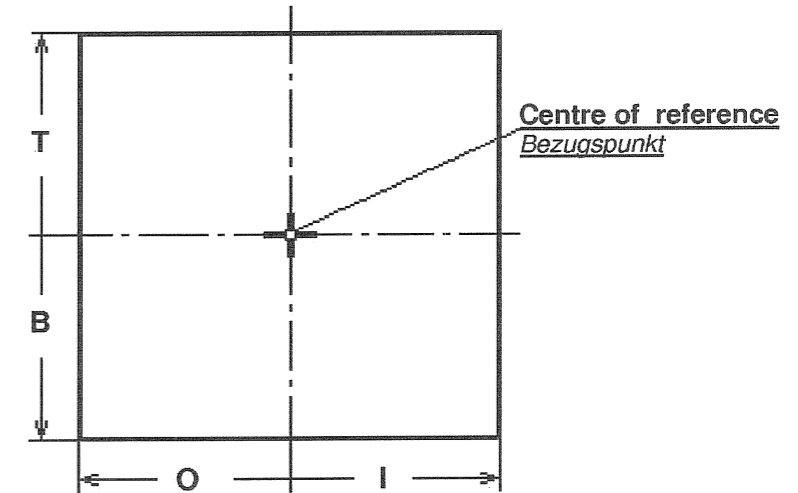
Type:
Typ:

2PT 980 670

Annex A
Anlage A

Belongs to approval no.: **E24 0002**
Gehört zur Gen. Nr.:

Determining the borders of the illuminated area of lamp in accordance with the Directives of the Council of the European Community on "Mounting of lamps and light signalling equipment" 76/756 EEC and ECE-Regulation No. 48, sub-section 2.9.2..
Bestimmung der Grenzen der leuchtenden Fläche einer Leuchte gemäß den Richtlinien des Rates der Europäischen Gemeinschaften "Anbau von Beleuchtungs- und Lichtsignaleinrichtung" nach 76/756/EWG, bzw. ECE-Regelung Nr. 48, Absatz 2.9.2..



Category of Lamp <i>Gerätebezeichnung</i>	Top edge <i>Obere Grenze</i> (T) mm	Bottom edge <i>Untere Grenze</i> (B) mm	Outer edge <i>Äußere Grenze</i> (O) mm	Inner edge <i>Innere Grenze</i> (I) mm
Daytime Running Lamp <i>Tagfahrleuchte</i>	13	13	50	50